



# Micro-trip Anti Vandal Switch

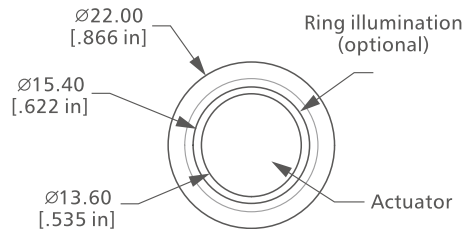
## Ø 19mm

### Order Code

<b>Series</b> <input type="checkbox"/> <input type="checkbox"/> L19M Micro-trip	<b>Actuator Options</b> <input type="checkbox"/> F-Flat	<b>Terminal Options</b> <input type="checkbox"/> NONE-Solder lug (2.8X0.8) N-Screw	<b>Function Options</b> <input type="checkbox"/> M-Momentary 1-1NO	<b>Material Options</b> <input type="checkbox"/> S-Stainless steel	<b>Illumination Style Options</b> <input type="checkbox"/> NONE-Non-illum. D-Dot R-Ring PS-Power backlightsymbol PY-Ring illum. & Power backlit symbol X-Backlit label kit**	<b>Led- Color Options</b> <input type="checkbox"/> NONE-Non-illum. W-White Y-Yellow B-Blue G-Green R-Red O-Orange 3A-Red/ Green/ Blue	<b>Illumination Voltage Options</b> <input type="checkbox"/> — <input type="checkbox"/> NONE-Base voltage* 3.3V 6V 12V 24V 36V	<b>Graphic Options</b> <input type="checkbox"/> <input type="checkbox"/> <input type="checkbox"/> NONE-Non-marking LE-Laser etched
---	---	---	--	--	---	--	---	---

**Notes:**  
 \* Base voltage on LEDs:  
 1.8V @20mA for red and yellow and orange LED colors  
 2.8V @20mA for blue, green and white LED colors  
 \*\*5 ICON labels included, flat actuator only

### Description

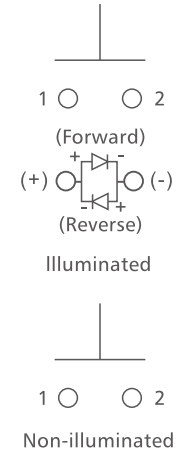
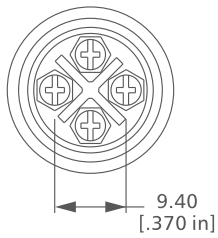
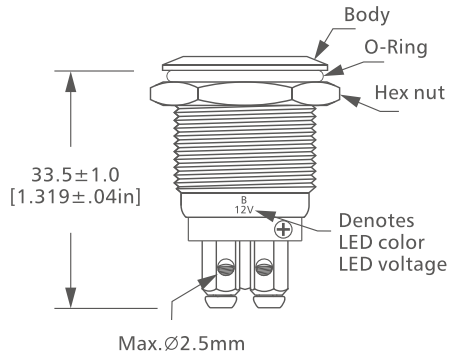
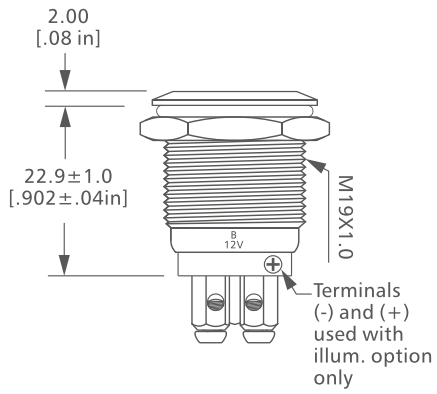


PS		Symbol: 9.20X9.20
<b>Symbol Illum.</b>		
PY		Symbol: 8.0X8.1
<b>Ring Illum. &amp; Symbol Illum.</b>		
<b>5 ICON Labels Included</b>		

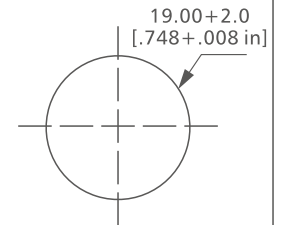
### Technical Data

Type	L19M-F
Illuminated options	Non-illuminated / Ring illuminated / Dot illuminated
Terminal	Screw / Solder lug (2.8X0.8)
Max. switch rating	50mA 24VDC
Contact resistance	≤ 100m Ω
Insulation resistance	≥ 1000m Ω
Dielectric strength	2000VAC
Operation temp.	-20°C ~ +55°C
Mechanical life	1,000,000 cycles
Electrical life	50,000 cycles
Contact material	Silver alloy
Rear nut fixing torque	0.57Nm
Operation pressure	Approx. 8N
Protection	IP65/ IK09
Material	
Switch assembly	UL94V-0 rated polyamide (nylon)
Tags	Copper alloy
Terminals	Copper alloy
Switch body & button	Stainless steel / *Anodized aluminum
Lens and lens body	Polycarbonate
Internal seal	Silicone
O ring	Nitrile
Color	LED 3.3V / 6V / 12V / 24V / 36V R/G/Y/B/W Approx. 40,000 hours

## Screw Terminal

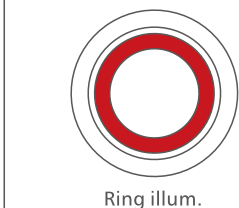
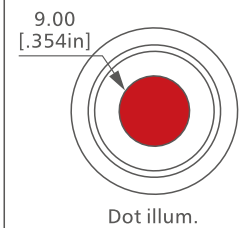
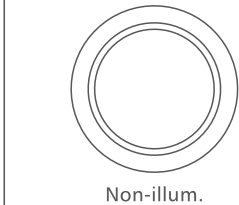
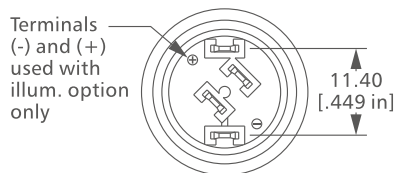
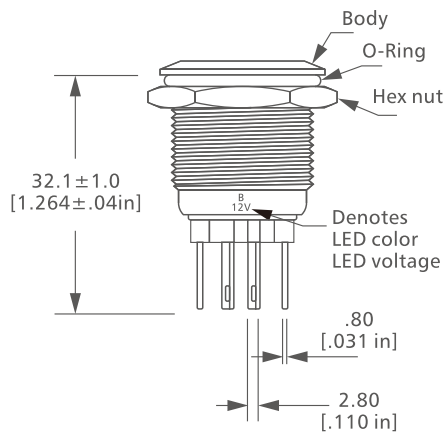
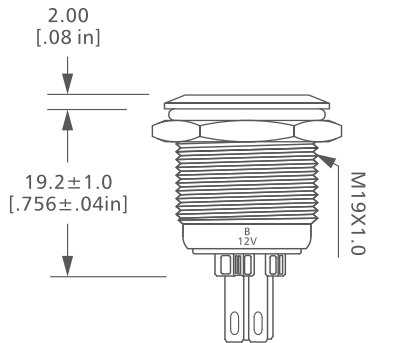


### Functions



### Panel Cutout

## Solder Terminal



### Lens Options