



Micro-trip Anti Vandal Switch

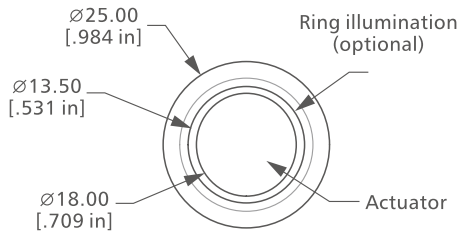
Ø 22mm

Order Code

Series □ □ L22M Micro-trip	Actuator Options □ F-Flat	Terminal Options □ NONE-Solder lug (2.8X0.8) N-Screw	Function Options □ M-Momentary 1-1NO	Material Options □ S-Stainless steel	Illumination Style Options □ NONE-Non-illum. D-Dot R-Ring	Led- Color Options □ NONE-Non-illum. W-White Y-Yellow B-Blue G-Green R-Red O-Orange	Illumination Voltage Options □ — □ □ □ □ NONE-Base voltage* 3.3V 6V 12V 24V 36V	Graphic Options □ □ □ □ NONE-Non-marking LE-Laser etched
----------------------------------	---------------------------------	---	---	--	---	---	--	---

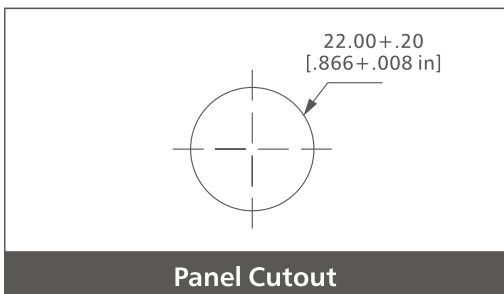
Notes:
 * Base voltage on LEDs:
 1.8V @20mA for red, yellow and orange LED colors
 2.8V @20mA for blue, green and white LED colors

Description



Panel thickness: 1~10mm

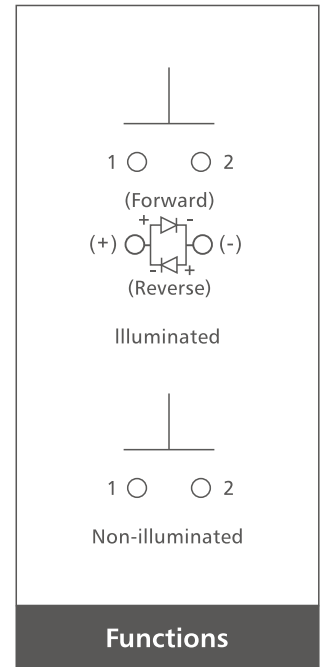
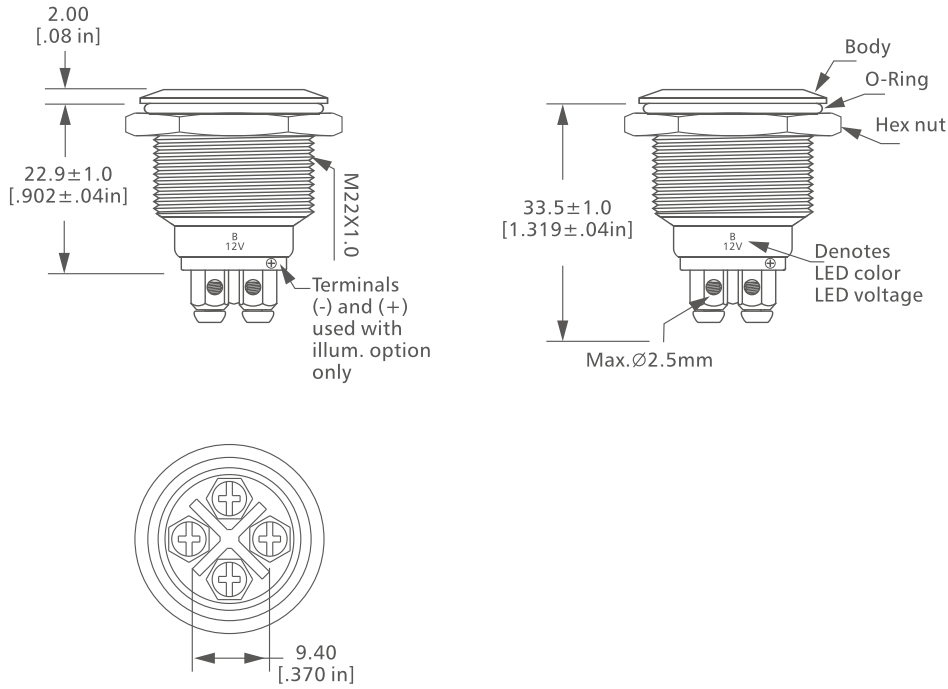
Panel Cutout



Technical Data

Type	L22M-F
Illuminated options	Non-illuminated / Ring illuminated / Dot illuminated
Terminal	Screw / Solder lug (2.8X0.8)
Max. switch rating	50mA 24VDC
Contact resistance	≤ 100m Ω
Insulation resistance	≥ 1000m Ω
Dielectric strength	2000VAC
Operation temp.	-20°C ~ +55°C
Mechanical life	1,000,000 cycles
Electrical life	50,000 cycles
Contact material	Silver alloy
Rear nut fixing torque	0.57Nm
Operation pressure	Approx. 8N
Protection	Ip65/ IK10
Material	
Switch assembly	UL94V-0 rated polyamide (nylon)
Tags	Copper alloy
Terminals	Copper alloy
Switch body & button	Stainless steel
Lens and lens body	Polycarbonate
Internal seal	Silicone
O ring	Nitrile
	LED
Color	3.3V / 6V / 12V / 24V / 36V R G Y O B / W Approx. 40,000 hours

Screw Terminal



Solder Terminal

