



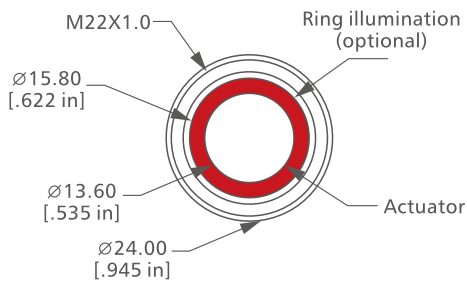
Rear Mounting Anti Vandal Switch Ø 22mm

Order Code

Series	Actuator Options	Terminal Options	Function Options	Material Options	Illumination Style Options	Led- Color Options	Illumination Voltage Options	Graphic Options
<input type="checkbox"/> <input type="checkbox"/>	<input type="checkbox"/>	<input type="checkbox"/>	<input type="checkbox"/>	<input type="checkbox"/>	<input type="checkbox"/>	<input type="checkbox"/>	<input type="checkbox"/>	<input type="checkbox"/> <input type="checkbox"/> <input type="checkbox"/>
L220 Rear mounting for flush version	F-Flat	NONE -Solder lug (2.8X0.8) N-Screw	M-Momentary 1-1NO	S-Stainless steel	NONE -Non-illum. D-Dot R-Ring	NONE -Non-illum. W-White Y-Yellow B-Blue G-Green R-Red	NONE -Base voltage* 3.3V 6V 12V 24V 36V	NONE -Non-marking LE-Laser etched

Notes:
 * Base voltage on LEDs:
 1.8V @20mA for red, yellow and orange LED colors
 2.8V @20mA for blue, green and white LED colors

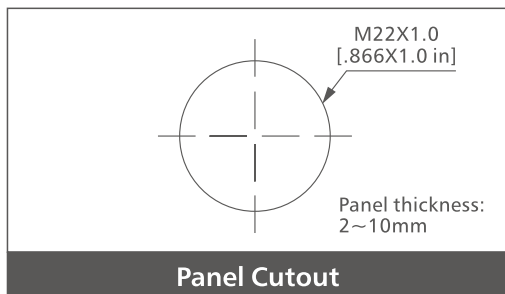
Description



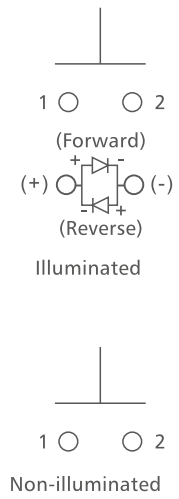
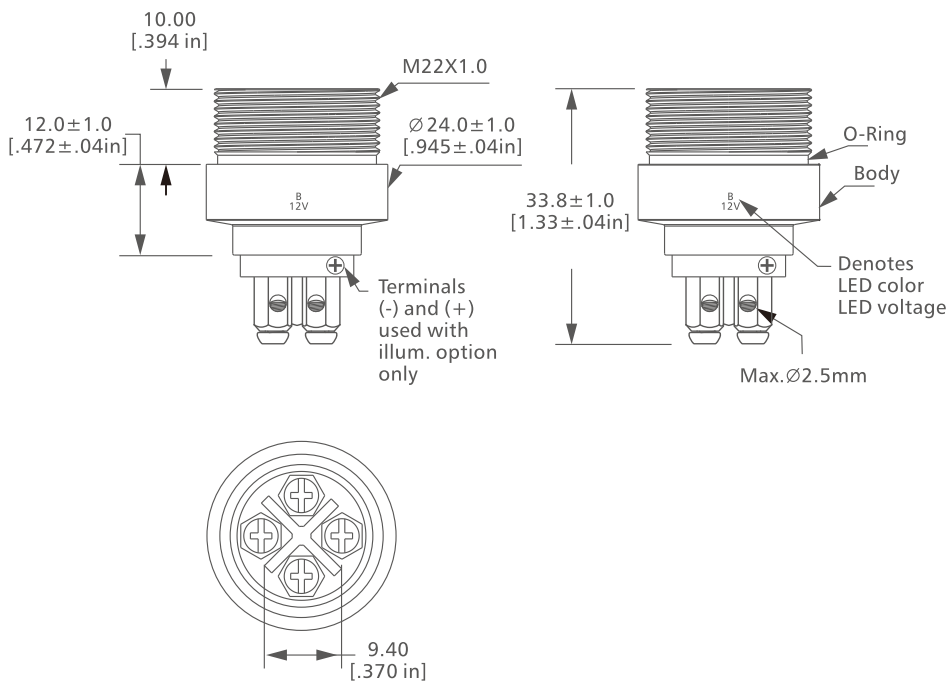
Technical Data

Type	L220-F
Illuminated options	Non-illuminated / Ring illuminated / Dot illuminated
Terminal	Screw / Solder lug (2.8X0.8)
Max. switch rating	50mA 24VDC
Contact resistance	≤ 100m Ω
Insulation resistance	≥ 1000m Ω
Dielectric strength	2000VAC
Operation temp.	-20°C ~ +55°C
Mechanical life	1,000,000 cycles
Electrical life	50,000 cycles
Contact material	Silver alloy
Rear nut fixing torque	0.57Nm
Operation pressure	Approx. 8N
Protection	IP65/ IK09
Material	
Switch assembly	UL94V-0 rated polyamide (nylon)
Tags	Copper alloy
Terminals	Copper alloy
Switch body & button	Stainless steel
Lens and lens body	Polycarbonate
Internal seal	Silicone
O ring	Nitrile
	LED
Color	3.3V / 6V / 12V / 24V / 36V R/G/Y/B/W
	Approx. 40,000 hours

Panel Cutout

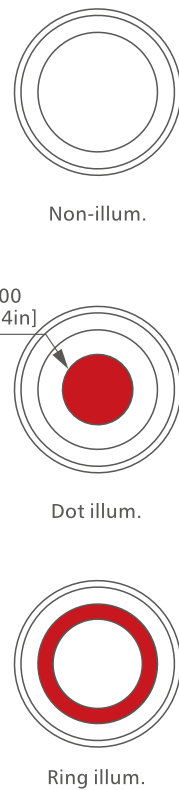
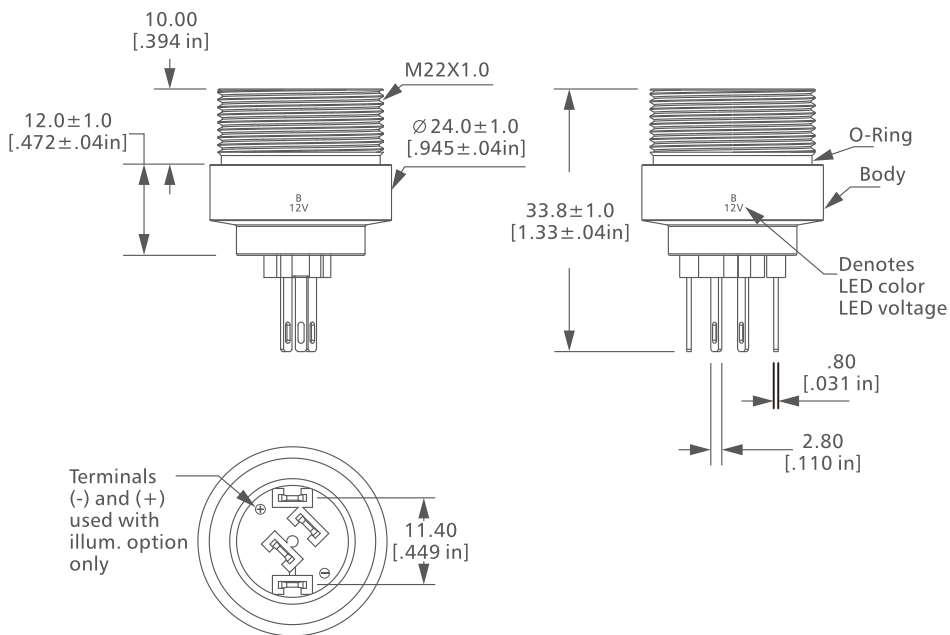


Screw Terminal



Functions

Solder Terminal



Lens Options